



COMPACT ROTARY BASKET WASHER

Gladiator CRB



The Gladiator CRB washer is setting a new standard of excellence in aqueous-based parts washing. The Gladiator CRB washer was developed to provide efficient cleaning of a variety of parts in a portable unit requiring minimal floor space. The process consists of a turbulent immersion wash with heated cleaning solution and vertical agitation. The process will also feature fixture rotation to enhance washing and drainage. The powerful Gladiator washers employ industrial-grade cleaning and reliability at the right price.

19 Heritage Drive,
Tiffin, OH 44883

MAIN: 419-443-1818

FAX: 419-443-1823

FMPARTSWASHERS.COM

* Shown With Optional Features



NSF-ISR

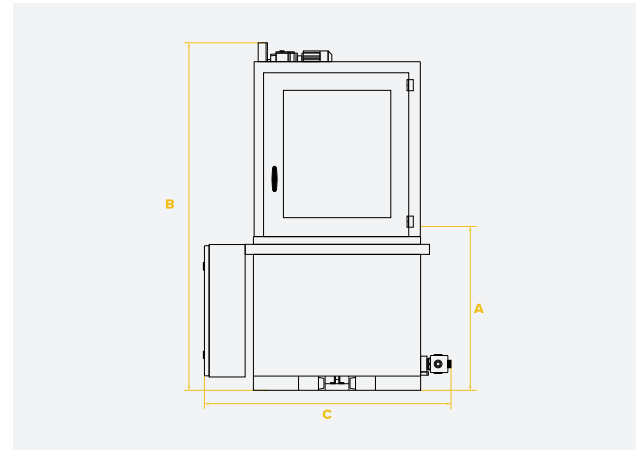
Registered to ISO 9001

COMPACT ROTARY BASKET WASHER

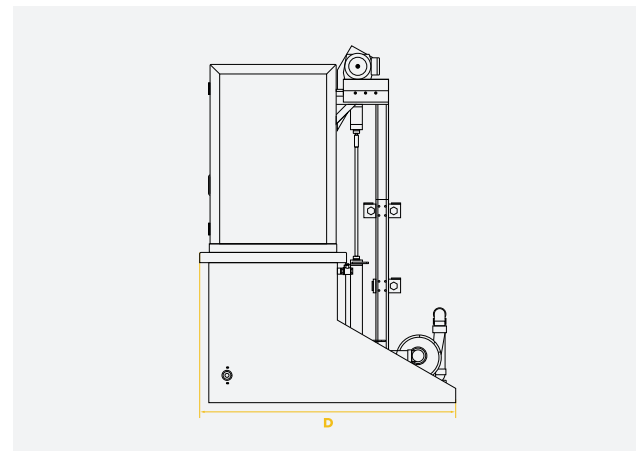
Gladiator CRB—Model Comparison

	2 CRB50	2+2 CRB50
BASKET CAPACITY	2	4
COMPATIBLE BASKETS	Kadon Large Wash Baskets	Kadon Large Wash Baskets
BASKET CONFIGURATION	SIDE BY SIDE	2 OVER 2
BASKET LOAD CAPACITY (LB) (EA)	50	50
LOAD/UNLOAD HEIGHT (IN)	A 36	36
BASKET ROTATION DRIVE (HP)	1/4	1/4
BASKET ROTATION DRIVE AMPS (240V 3PH)	1	1
BASKET ROTATION DRIVE AMPS (480V 3PH)	0.5	0.5
PUMP FLOW (GPM)	20	20
PUMP PRESSURE (PSI)	20	20
PUMP (HP)	1	1
PUMP AMPS (240V 3PH)	3.6	3.6
PUMP AMPS (480V 3PH)	1.8	1.8
TANK CAPACITY (GAL)	100	100
TANK HEATER (KW)	20	20
HEATER AMPS (240 3PH)	54	54
HEATER AMPS (480 3PH)	27	27
TANK OPERATING TEMP (F)	140-160	140-160
TANK HEAT-UP TIME (TO 140F) (HRS)	1.5	1.5
STANDARD VOLTAGE	240V 3PH	240V 3PH
TANK CONSTRUCTION	12 ga. 304 Stainless Steel	12 ga. 304 Stainless Steel
HEIGHT (IN)	B 80	80
WIDTH (IN)	C 54	54
DEPTH (IN)	D 58	58
FULL LOAD AMPS (240V 3PH)	58.6	58.6
FULL LOAD AMPS (480V 3PH)	29.3	29.3

FRONT



SIDE



OPTIONS

- Upper Cabinet w/ Spray
- Automatic 7-Day/24-Hour Heater Timer
- Automatic Level Control
- Stainless Steel Bag Filter
- Stainless Steel Tank Mixing Eductors
- Stainless Steel Spray Nozzles (Cabinet Option Only)
- Casters
- Parts Washing Baskets
- 480V 3PH

STANDARD MECHANICAL EQUIPMENT

- Stainless Steel Horizontal Solution Pump
- Stainless Steel Screw Plug Heater
- Oil Disk Skimmer w/ High Temperature Disk
- Industrial Duty Gearmotor
- Threaded Poly Tank Mixing Eductors
- 3/4" Brass Manual Fill Valve
- 1" Brass Drain Valve

STANDARD ELECTRICAL EQUIPMENT

- NEMA 12 Controls Enclosure
- Low Level Heater/Pump Protection
- Thermostatic Heater Control
- Wash Stage Timer