



FRONT LOADING ROTARY TABLE WASHER

Gladiator FRT



* Shown With Optional Features

The Gladiator FRT washer is setting a new standard of excellence in aqueous-based parts washing. Each Gladiator washer is engineered with high-quality materials in distinct sizes and properly designed add-on features and components. The powerful Gladiator washers employ industrial-grade cleaning and reliability at the right price.

19 Heritage Drive,
Tiffin, OH 44883

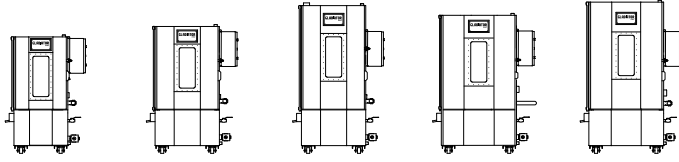
MAIN: 419-443-1818
FAX: 419-443-1823

FMPARTSWASHERS.COM



FRONT LOADING ROTARY TABLE WASHER

Gladiator FRT—Model Comparison



FRT 2430 FRT 3036 FRT 3048 FRT 3642 FRT 3650

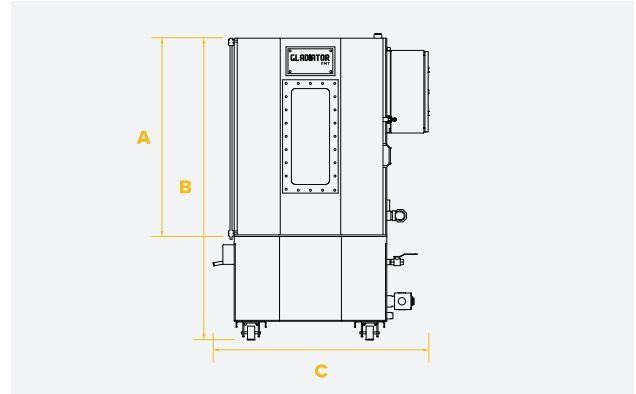
	FRT 2430	FRT 3036	FRT 3048	FRT 3642	FRT 3650
TABLE DIAMETER (IN)	24	30	30	36	36
PART OPENING HEIGHT (IN) A	30	36	48	42	50
LOAD HEIGHT (IN)	30	30	30	31	31
TABLE LOAD CAPACITY (LB)	500	1000	1000	1500	1500
TABLE SPEED (RPM)	3	2.5	2.5	2	2
DRIVE (HP)	1/4	1/4	1/4	1/4	1/4
DRIVE AMPS (240V 1PH)	2.9	2.9	2.9	-	-
DRIVE AMPS (240V 3PH)	1	1	1	1	1
DRIVE AMPS (480V 3PH)	.5	.5	.5	.5	.5
PUMP FLOW (GPM)	35	45	55	55	60
PUMP PRESSURE (PSI)	40	40	40	70	70
PUMP (HP)	3	3	3	7.5	7.5
PUMP AMPS (240V 1PH)	17	17	17	-	-
PUMP AMPS (240V 3PH)	9.6	9.6	9.6	22	22
PUMP AMPS (480V 3PH)	4.8	4.8	4.8	11	11

TANK CAPACITY (GAL)	40	55	55	85	85
TANK HEATER (KW)	7	9	9	14	14
HEATER AMPS (240 1PH)	32	41.2	41.2	-	-
HEATER AMPS (240 3PH)	18.5	24.8	24.8	37	37
HEATER AMPS (480 3PH)	8.9	11.4	11.4	17.8	17.8
TANK OPERATING TEMP (F)	150-170	150-170	150-170	150-170	150-170
TANK HEAT-UP TIME (TO 140F) (HRS)	1.5	1.5	1.5	1.5	1.5

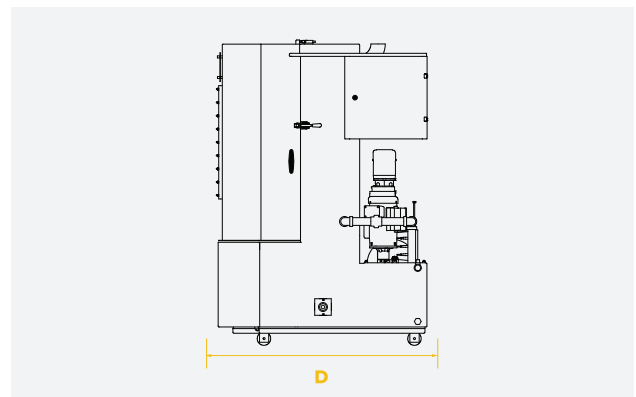
STANDARD VOLTAGE	240V 1PH	240V 1PH	240V 1PH	240V 3PH	240V 3PH
HOUSING CONSTRUCTION	12 ga. 304 Stainless Steel	12 ga. 304 Stainless Steel	12 ga. 304 Stainless Steel	12 ga. 304 Stainless Steel	12 ga. 304 Stainless Steel
HEIGHT (IN) B	5'-8"	6'-2"	7'-2"	6'-9"	7'-5"
WIDTH (IN) C	3'-10"	4'-4"	4'-4"	4'-10"	4'-10"
DEPTH (IN) D	3'-9"	4'-3"	4'-3"	5'-0"	5'-0"

FULL LOAD AMPS (240V 1PH)	51.9	61.1	61.1	-	-
FULL LOAD AMPS (240V 3PH)	29.1	35.4	35.4	60	60
FULL LOAD AMPS (480V 3PH)	14.2	16.7	16.7	28.8	28.8

FRONT



SIDE



STANDARD MECHANICAL EQUIPMENT

- Stainless Steel Vertical Solution Pump
- Stainless Steel Screw Plug Heater
- Stainless Steel Perforated Debris Basket
- Oil Disk Skimmer w/ High Temperature Disk
- Industrial Duty Gearmotor
- Threaded Poly Spray Nozzles
- Swing-down Intermediate Spray Header
- 3/4" Brass Manual Fill Valve
- 1" Brass Drain Valve
- Viewing Window
- Casters

OPTIONS

- Automatic 7-Day/24-Hour Heater Timer
- Automatic Level Control
- Stainless Steel Bag Filter
- Stainless Steel Spray Nozzles
- Removable Parts Tree
- 6" Tall Stainless Steel Containment Ring
- 2nd Level Parts Basket
- Stainless Steel Parts Washing Baskets, Custom Baskets Available, Per Request
- Natural Gas/Propane Heat
- Steam Heat

STANDARD ELECTRICAL EQUIPMENT

- NEMA 12 Controls Enclosure
- Low Level Heater/Pump Protection
- Thermostatic Heater Control
- Door Safety Switch
- Wash Stage Timer

240V 3PH, 480V 3PH (240 3PH Standard on 36" Table)