

INCLINE BELT WASHER

# Gladiator IB



The Gladiator IB washer is setting a new standard of excellence in aqueous-based parts washing. The Gladiator IB was designed as an in-process washer to clean parts (wash only) coming off a stamping operation, cold header, or screw machine. Due to its small, compact layout, the machine can be piggybacked together to provide complete wash and rinse cleaning if necessary. The powerful Gladiator washers employ industrial-grade cleaning and reliability at the right price.

\* Shown With Optional Features

19 Heritage Drive,  
Tiffin, OH 44883

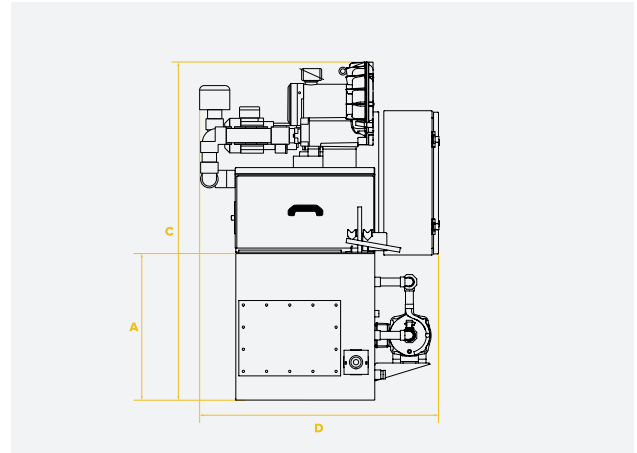
**MAIN:** 419-443-1818  
**FAX:** 419-443-1823

## INCLINE BELT WASHER

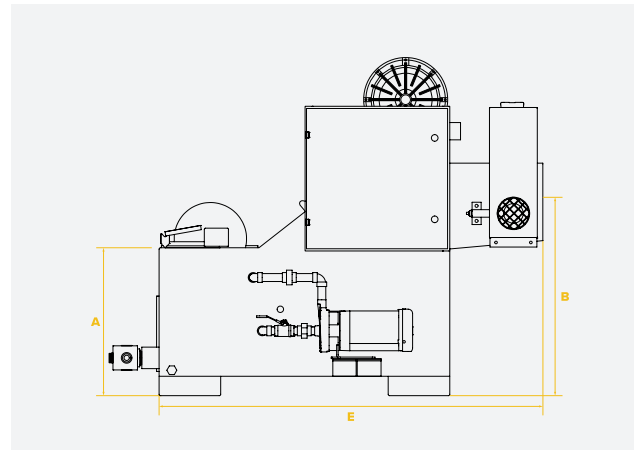
# Gladiator IB—Model Features

		IB-12
LOAD HEIGHT (IN)	A	25
UNLOAD HEIGHT (IN)	B	34
BELT TYPE		Plastic
USABLE BELT WIDTH (IN)		12
BELT SPEED (FPM) (MAX)		6
DRIVE (HP)		1/4
DRIVE AMPS (240V 3PH)		1
DRIVE AMPS (480V 3PH)		0.5
<hr/>		
PUMP FLOW (GPM)		40
PUMP PRESSURE (PSI)		40
PUMP (HP)		3
PUMP AMPS (240V 3PH)		9.6
PUMP AMPS (480V 3PH)		4.8
<hr/>		
BLOWER FLOW (CFM)		85
BLOWER PRESSURE ("W.C.)		25
BLOWER (HP)		3
BLOWER AMPS (240 3PH)		9.6
BLOWER AMPS (480 3PH)		4.8
<hr/>		
TANK CAPACITY (GAL)		85
TANK HEATER (KW)		15
HEATER AMPS (240 3PH)		40.5
HEATER AMPS (480 3PH)		20.2
TANK OPERATING TEMP (F)		140-160
TANK HEAT-UP TIME (TO 140F) (HRS)		1.5
<hr/>		
STANDARD VOLTAGE		240V 3PH
<hr/>		
HOUSING CONSTRUCTION		12 ga. 304 Stainless Steel
HEIGHT (IN)	C	48
WIDTH (IN)	D	50
DEPTH (IN)	E	66
<hr/>		
FULL LOAD AMPS (240V 3PH)		60.7
FULL LOAD AMPS (480V 3PH)		30.3

### FRONT



### SIDE



#### OPTIONS

Automatic 7-Day/24-Hour Heater Timer

Automatic Level Control

Stainless Steel Bag Filter

Stainless Steel Spray Nozzles

Casters

Variable Speed Belt

Custom Load/Unload Chutes Available, Per Request

480V 3PH

#### STANDARD MECHANICAL EQUIPMENT

Stainless Steel Horizontal Solution Pump

Stainless Steel Screw Plug Heater

Oil Disk Skimmer w/ High Temperature Disk

Industrial Duty Gearmotor

Threaded Poly Spray Nozzles

High Pressure Regenerative Blower

Stainless Steel Air Knife

3/4" Brass Manual Fill Valve

1" Brass Drain Valve

#### STANDARD ELECTRICAL EQUIPMENT

NEMA 12 Controls Enclosure

Low Level Heater/ Pump Protection

Thermostatic Heater Control