



TOP LOAD ROTARY TABLE WASHER

Gladiator TRT



The Gladiator TRT washers are designed for low-volume, batch parts cleaning. The Gladiator TRT washers offer a space-saving, cost-effective solution to your industrial parts cleaning needs. The powerful Gladiator washers employ industrial grade cleaning and reliability at the right price.

* Shown With Optional Features

19 Heritage Drive,
Tiffin, OH 44883

MAIN: 419-443-1818
FAX: 419-443-1823

FMPARTSWASHERS.COM

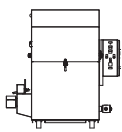


NSF-ISR

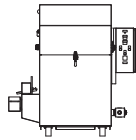
Registered to ISO 9001

TOP LOAD ROTARY TABLE WASHER

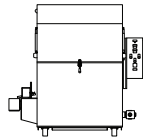
Gladiator TRT—Model Comparison



TRT 2518



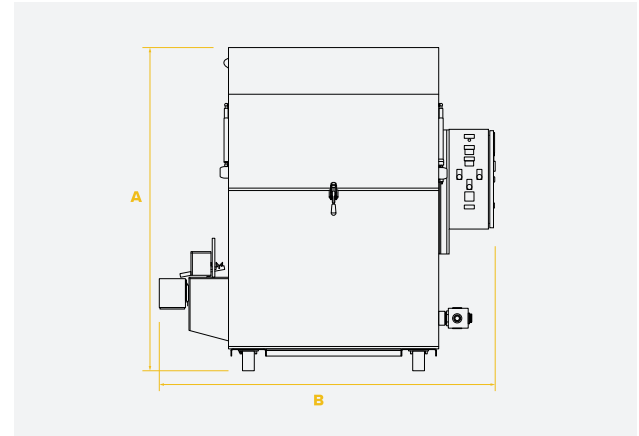
TRT 3024



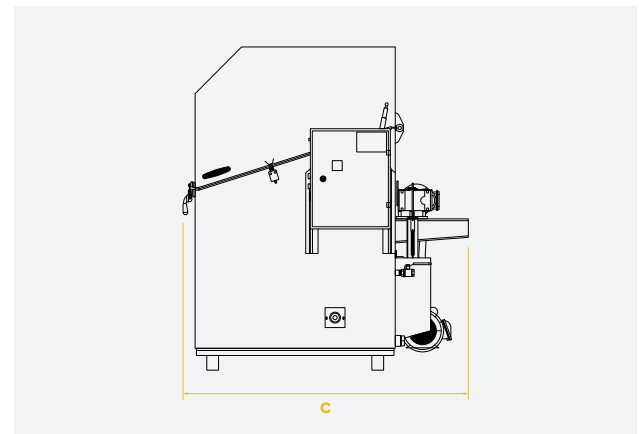
TRT 3524

	TRT 2518	TRT 3024	TRT 3524	
TABLE DIAMETER (IN)	25	30	35	
PART OPENING HEIGHT (IN)	18	24	24	
LOAD HEIGHT (TOP OF TABLE) (IN)	30	30	30	
TABLE LOAD CAPACITY (LB)	500	1000	1000	
TABLE SPEED (RPM)	2	2	2	
DRIVE (HP)	1/8	1/8	1/8	
DRIVE AMPS (240V 1PH)	1.5	1.5	1.5	
DRIVE AMPS (240V 3PH)	0.5	0.5	0.5	
DRIVE AMPS (480V 3PH)	0.25	0.25	0.25	
PUMP FLOW (GPM)	30	40	45	
PUMP PRESSURE (PSI)	40	40	40	
PUMP (HP)	3	3	3	
PUMP AMPS (240V 1PH)	17	17	17	
PUMP AMPS (240V 3PH)	9.6	9.6	9.6	
PUMP AMPS (480V 3PH)	4.8	4.8	4.8	
TANK CAPACITY (GAL)	40	50	55	
TANK HEATER (KW)	7	9	9	
HEATER AMPS (240 1PH)	32	41.2	41.2	
HEATER AMPS (240 3PH)	18.5	24.8	24.8	
HEATER AMPS (480 3PH)	8.9	11.4	11.4	
TANK OPERATING TEMP (F)	150-170	150-170	150-170	
TANK HEAT-UP TIME (TO 140F) (HRS)	1.5	1.5	1.5	
STANDARD VOLTAGE	240V 1PH	240V 1PH	240V 1PH	
HOUSING CONSTRUCTION	12 ga. 304 Stainless Steel	12 ga. 304 Stainless Steel	12 ga. 304 Stainless Steel	
HEIGHT (IN)	A	4'-11"	5'-5"	5'-5"
WIDTH (IN)	B	4'-10"	5'-3"	5'-8"
DEPTH (IN)	C	4'-0"	4'-5"	4'-10"
FULL LOAD AMPS (240V 1PH)	50.5	59.7	59.7	
FULL LOAD AMPS (240V 3PH)	29.1	35.4	35.4	
FULL LOAD AMPS (480V 3PH)	14.2	16.7	16.7	

FRONT



SIDE



OPTIONS

Automatic 7-Day/24-Hour Heater Timer

Automatic Level Control

Stainless Steel Bag Filter

Stainless Steel Spray Nozzles

Removable Parts Tree

2nd Level Parts Basket

Casters

Viewing Window

Stainless Steel Parts Washing Baskets: 17" x 8" x 8", 17" x 17" x 8", 20" x 20" x 8", 25" x 25" x 8", Custom Baskets Available, Per Request

240V 3PH, 480V 3PH

STANDARD MECHANICAL EQUIPMENT

Stainless Steel Horizontal Solution Pump

Stainless Steel Screw Plug Heater

Stainless Steel Perforated Debris Basket

Oil Disk Skimmer w/ High Temperature Disk

Industrial Duty Gearmotor

Threaded Poly Spray Nozzles

6" Tall Stainless Steel Containment Ring

3/4" Brass Manual Fill Valve

1" Brass Drain Valve

STANDARD ELECTRICAL EQUIPMENT

NEMA 12 Controls Enclosure

Low Level Heater/Pump Protection

Thermostatic Heater Control

Door Safety Switch

Wash Stage Timer